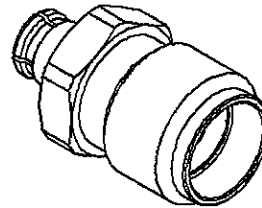
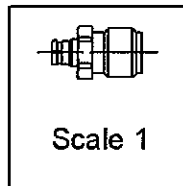
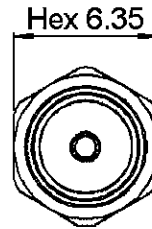
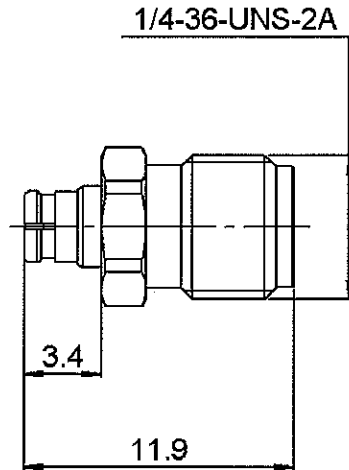


**SMA FEMALE - SMP FEMALE ADAPTOR**

**R191.844.002**

Série : SMP



All dimensions are in mm.



COMPONENTS	MATERIALS	PLATINGS (µm)
BODY	BERYLLIUM COPPER	GOLD 1.3 OVER NICKEL 2
CENTER CONTACT	BERYLLIUM COPPER	GOLD 1.27 OVER NICKEL 1.27
OUTER CONTACT		
INSULATOR	PTFE	
GASKET		
OTHERS PARTS	BERYLLIUM COPPER	GOLD 1.3 OVER NICKEL 2
-	-	-
-	-	-

Issue : 0529 B

In the effort to improve our products, we reserve the rights to make changes judged to be necessary.



**SMA FEMALE - SMP FEMALE ADAPTOR**

**R191.844.002**

Série : SMP

**PACKAGING**

Standard	Unit	Other
100	'W' option	Contact us

**SPECIFICATION**

**ELECTRICAL CHARACTERISTICS**

**ENVIRONMENTAL**

Impedance		50 Ω
Frequency		0-18 GHz
VSWR	1.15 +	0.000 x F(GHz) Maxi
Insertion loss		0.12 √F(GHz) dB Maxi
RF leakage	-(	NA - F(GHz)) dB Maxi
Voltage rating		335 Veff Maxi
Dielectric withstanding voltage		500 Veff mini
Insulation resistance		5000 MΩ mini

Operating	-65/+165 ° C
Hermetic seal	NA Atm.cm3/s
Panel leakage	NA

**MECHANICAL CHARACTERISTICS**

**OTHERS CHARACTERISTICS**

Center contact retention		
Axial force – Mating end	27 *	N mini
Axial force – Opposite end	6.8 **	N mini
Torque		N.cm mini

\* SMA mating end  
\*\* SMP mating end

Recommended torque		
Mating	SMA	0 N.cm
	SMP	0 N.cm
		0 N.cm
Panel nut	NA	N.cm
Mating life	100	Cycles mini
Weight	1.350	g

Issue : 0529 B

In the effort to improve our products, we reserve the rights to make changes judged to be necessary.



**RADIALL**®